

Masport[®]
Heating

Wood Fires



Made in New Zealand for New Zealand homes

www.masportheating.co.nz



contents

Freestanding Fires

Clean Air Radiant Fires	7
Clean Air Convection Fires	10
Rural Fires	11
Ultra Low Emission Fire	12


Inbuilt Fires

Clean Air Convection Fires	14
Rural Fires	16

Hearths	13
---------	----

Specifications	18
----------------	----





**Welcome to Glen Dimplex
New Zealand, the largest
wood fire manufacturer in
Australasia and the home
of Masport Heating.**

Superior build quality, extensive research and development, rigorous quality control and a guarantee of workmanship are values that are synonymous with Masport Heating. Glen Dimplex is the largest manufacturer of wood fires in Australasia and incorporates a high level of equipment and facilities unrivalled by any other manufacturer in New Zealand. As a consequence, our product range is extensive and offers great value for money.

Masport heating is committed to producing the best solid fuel burners in Australasia and our confidence is reflected in our 10 year fire box warranty on our entire wood fire range. We hold operational spare parts available for purchase, for 15 years from the last date of manufacture for all models. Rest assured that you are buying a quality product from a reliable and renowned wood fire manufacturer.

For more information, please view our latest range of products on offer in this catalogue or visit our website www.masportheating.co.nz.

wood is good



5 GREAT REASONS TO CHOOSE MASPORT

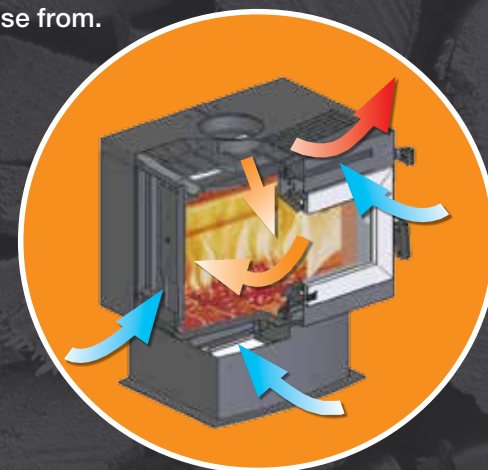
1. All Masport Heating fires are made by New Zealand's largest wood fire manufacturer.
2. Firebox warranty up to 10 years.
3. Comprehensive range of convection, radiant, rural and multi-fuel fires to suit a multitude of house designs.
4. Fully brick-lined firebox for efficient heating.
5. Huge range of low emission clean air models.

WHY BUY A WOOD FIRE?

- WOOD IS A CARBON NEUTRAL PRODUCT and unlike other fuels, burning wood generates no more carbon dioxide (CO₂) than if it was left to decompose naturally.
- A MASPORT WOOD FIRE IS ENERGY EFFICIENT designed to heat your entire house.
- A WOOD FIRE HAS A MULTI PURPOSE FUNCTION which apart from being your primary heat source, can be used inline with a heat transfer/ventilation system, water heating and cooking.
- A WOOD FIRE IS A SMART AND COST EFFECTIVE METHOD OF HEATING being one of the cheapest forms of heating.
- WOOD IS A RENEWABLE ENERGY SOURCE making it a sound environmental choice.
- MASPORT HOLDS OPERATIONAL SPARES PARTS, for up to 15 years from the last date of manufacture. This gives you peace of mind and knowledge that you can service your wood fire over its lifetime. This is the advantage of buying New Zealand made.
- MASPORT OFFERS AN EXTENSIVE RANGE with many models and options to choose from.

TRIPLE AIR COMBUSTION TECHNOLOGY

Masport fireboxes have been built with a Triple Air Combustion system designed to efficiently burn all the fuel put in the fire. Primary air comes through slots with high/low control, gets preheated and drives primary combustion of fuel. It also creates an 'air wash' over the door glass, keeping it clean. Secondary air comes from either side of the firebox through the air-tube which creates turbulence and burns small, unburnt fuel particles at a very high temperature. Tertiary air comes from below the door or rear of the firebox to ensure complete combustion. This complete combustion gives better efficiency thus reducing running costs and keeping the environment clean.



types of fires

CLEAN AIR FIRES

There are two main categories of clean air fires

Pages 7-10, 12-15

CONVECTION FIRES provide a more even heat by distributing warm air around the room, because hot air rises, the air in the room is warmed from the ceiling downwards. A convection fire is more suitable for a room or house with a standard ceiling height and where more even heat distribution is desired.

RADIANT FIRES heat quickly and if you sit close to them you can get warm even if the whole room has not had time to warm up. A radiant fire transfers about two thirds of its heat by radiation and one third by convection. A radiant fire is more suitable for rooms with high ceilings.

RURAL FIRES

Rural fires are ideal for large spaces

Pages 11, 16

Large heat output, wide firebox cavity and wetback options make these fires a perfect fit for New Zealand's lifestyle and rural properties.

Rural fires are capable of a comprehensive overnight burn, making it an all in one multi-purpose appliance that offers great value for your money. They are available in a range of sizes and finishes (freestanding or inbuilt applications) to fit both new and existing fireplaces. Enquire at your local Masport Dealer for more information on rural fires.



Made in New Zealand



Why buy an off shore imitation? Keep kiwis employed and get a genuine Masport wood fire made in New Zealand for almost 40 years for New Zealand homes.

Buying a Masport wood fire ensures you will have operational spare parts readily available for up to 15 years, this is a promise we have made to you. Our dedicated staff have collectively almost a thousand years of experience in the wood fire industry and are ready to assist you with your home heating needs.

Making a Masport wood fire is a team effort. We buy New Zealand made steel that's cut, crafted, welded and assembled by our team of over 90 kiwis. This kiwi quality is made to suit New Zealand homes keeping your home and your heart warm this winter.



AKAROA



The Masport Akaroa breaks tradition from the humble wood fire. The sleek curved design of the Akaroa provides a design fitting of today's modern home and yet still adds a touch of elegance to a villa of yesteryear. The Akaroa will not only make a statement but will also keep your home warm this winter.

- NES, ECAN and ORC Airshed 1 clean air approved
- Efficiently heats area 160m²
- Superior heat from a 6mm steel fire box
- Built in easy clean ash pan
- **Wood stacker option available**

FINISH: Metallic Black VHT

LAB OBSERVED PEAK OUTPUT: 16.2kW

EMISSIONS: 0.69g/kg

EFFICIENCY: 66.8%

DIMENSIONS (WxDxH): 481 x 536 x 1025mm



Easy clean ash pan



Easy clean ash pan

MACKENZIE R10000



Our most powerful fire ever. Supreme output and efficiency, with minimal clearances. For abundantly heating open plan spaces.

- NES and ECAN clean air approved
- Efficiently heats areas 260m²
- Superior heat from a 6mm steel firebox and 8mm steel radiant cook top
- Built in Easy Clean ash pan
- Extended burn time*
- **Available with water booster. Water booster can be retro fitted to existing models**

FINISH: Metallic Black VHT

LAB PEAK OUTPUT: 26.4kW

EMISSIONS: 0.9g/kg (Dry), 0.8g/kg (Wet)

EFFICIENCY: 68% (Dry), 65% (Wet)

DIMENSIONS (WxDxH): 790 x 715 x 799mm

* Extended Burn time: It is possible to achieve an extended burn time, when using a mixture of pine and hardwood. Burn period may vary due to factors such as moisture, density of fuel, environmental factors and how the unit is operated.

FREESTANDING CLEAN AIR RADIANT



Leg option



Pedestal option



OSBURN 1600



Environmentally friendly and one of the best freestanding clean air fires on the market.

- NES, ECAN and ORC airshed1 clean air approved
- Efficiently heats areas 210m²
- Heavy steel construction with 8mm flat radiant cook top
- Built-in ash pan within pedestal for easy cleaning
- Extended burn time*
- Easy installation with ash only floor protection required
- **Also available as a wetback model, when purchasing please specify as waterbooster cannot be retrofitted**

FINISH: Metallic Black VHT

LAB PEAK OUTPUT: 21.96kW

EMISSIONS: 0.7g/kg dry and wet

EFFICIENCY: 70% (Dry), 72% (Wet)

DIMENSIONS (WxDxH): 635 x 618 x 743mm

R5000



Simply a great multi-purpose radiant fire built to produce substantial heat whilst being highly efficient.

- NES, ECAN and ORC Airshed 1 approved
- Efficiently heats areas 190m²
- Superior heat from 6mm steel firebox and 8mm radiant cook top
- Masonry fire bricks and 6mm steel baffle for efficient burning
- Leg option or Pedestal with Easy Clean ash pan option available
- Optional 2 speed Fan
- Extended burn time*
- Easy installation with ash only floor protection required
- **Optional water booster available, Clean air approved (2.7 kW max)**

FINISH: Metallic Black VHT

LAB PEAK OUTPUT: 19kW

EMISSIONS: 0.5g/kg **EFFICIENCY:** 71% (Dry)

EMISSIONS: 0.6g/kg **EFFICIENCY:** 66% (Wet)

EMISSIONS: 0.7g/kg **EFFICIENCY:** 73% (Fan)

DIMENSIONS (WxDxH): 700 x 576 x 720mm

R5000 WOOD STACKER



A large multipurpose radiant fire with a convenient wood storage solution.

- NES, ECAN and ORC Airshed 1 approved
- Efficiently heats areas 190m²
- Superior heat from 6mm steel firebox and 8mm radiant cook top
- Masonry fire bricks and 6mm steel baffle for efficient burning
- Extended burn time*
- Easy installation with ash only floor protection required
- **Optional water booster available, Clean air approved (2.7 kW max)**

FINISH: Metallic Black VHT

LAB PEAK OUTPUT: 19kW

EMISSIONS: 0.5g/kg **EFFICIENCY:** 71% (Dry)

EMISSIONS: 0.6g/kg **EFFICIENCY:** 66% (Wet)

DIMENSIONS (WxDxH): 700 x 576 x 804mm

* Extended Burn time: It is possible to achieve an extended burn time, when using a mixture of pine and hardwood. Burn period may vary due to factors such as moisture, density of fuel, environmental factors and how the unit is operated.



R1600



A easy to maintain fire with great output.

- NES and ECAN clean air approved
- Efficiently heats areas 140m²
- 6mm radiant cook top and 6mm steel firebox of durability
- Easy installation with ash only floor protection required
- Built-in ash pan within pedestal for easy cleaning
- **Optional water booster available for Rural application only (1.5 kW max)**

FINISH: Metallic Black VHT

EST. PEAK OUTPUT: 14kW

EMISSIONS: 0.9g/kg

EFFICIENCY: 69%

DIMENSIONS (WxDxH): 600 x 452 x 658mm



R1500



Supreme balance between heat output, design and price.

- NES and ECAN clean air approved
- Efficiently heats areas 140m²
- 6mm flat radiant cook top and 6mm steel firebox for durability
- Easy installation with ash only floor protection required
- **Optional water booster available for Rural application only (1.5 kW max)**

FINISH: Metallic Black VHT

EST. PEAK OUTPUT: 14kW

EMISSIONS: 0.9g/kg

EFFICIENCY: 69%

DIMENSIONS (WxDxH): 600 x 452 x 658mm



R1500 WOOD STACKER



A practical storage solution teamed with heat, efficiency and style.

- NES and ECAN clean air approved
- Efficiently heats areas up to 140m²
- 6mm flat radiant cook top and 6mm steel firebox for durability
- Easy installation with ash only floor protector required
- Handy storage space for wood
- **Optional water booster available for Rural application only (1.5kW max)**

FINISH: Metallic Black VHT

EST. PEAK OUTPUT: 14kW

EMISSIONS: 0.9g/kg

EFFICIENCY: 69%

DIMENSIONS (WxDxH): 600 x 452 x 743mm



HESTIA 2



Clean and efficient heat using convection technology.

- NES, ECAN and ORC Airshed1 clean air approved
- Efficiently heats areas 190m²
- 6mm steel firebox for durability
- Lined with masonry fire bricks for efficient burning
- Easy installation with ash only floor protection required
- Optional convection fan (rural use only)
- Wide door glass gives an unparalleled view of the fire
- **Optional water booster available for Rural application only (2.2 kW max)**

FINISH: Black VHT

EST. PEAK OUTPUT: 19kW

EMISSIONS: 0.6g/kg **EFFICIENCY:** 66%

DIMENSIONS (WxDxH): 640 x 523 x 753mm



F3000



A modern day fire that will look good in any home application.

- NES, ECAN and ORC Airshed1 clean air approved
- Efficiently heats areas 190m²
- Superior heat from a fully finned 6mm cast iron firebox
- Triple air combustion system
- Easy installation with ash only floor protection required
- Fitted with masonry fire bricks and steel baffle for durability
- Smooth release door latch with adjustable door hinge
- Removable top grill for cooking
- **Optional water booster available for Rural application only (2.7 kW max)**

FINISH: Black VHT

TRIM: Metallic Black VHT paint

EST. PEAK OUTPUT: 19kW

EMISSIONS: 0.6g/kg **EFFICIENCY:** 69%

DIMENSIONS (WxDxH): 662 x 505 x 755mm





R1500
RURAL



Supreme balance between heat output, design and price.

- Efficiently heats areas 140m²
- 6mm flat radiant cook top and 6mm steel firebox for durability
- Easy installation with ash only floor protection required
- **Optional water booster available for Rural application only (1.5 kW max)**

FINISH: Metallic Black VHT

EST. PEAK OUTPUT: 14kW

DIMENSIONS (WxDxH): 600 x 452 x 658mm



R5000
RURAL



Everything a rural fire ought to be; heating, cooking and water heating.

- Efficiently heats areas 190m²
- Superior heat from 6mm steel firebox and 8mm radiant cook top
- Masonry fire bricks and 6mm steel baffle for efficient burning
- Extended burn time
- Optional 2 speed fan
- Available in Pedestal option only
- **Optional water booster available (2.7 kW max)**

FINISH: Metallic Black VHT

EST. PEAK OUTPUT: 19kW

DIMENSIONS (WxDxH): 700 x 576 x 720mm

CROMWELL

Discover the Cromwell, Masport Heating's Ultra Low Emission Burner (ULEB) with only 0.47g/Kg emissions and 67% efficiency under stringent Canterbury real life testing (CM1 testing).

The Masport Cromwell boasts 13.3kW of heat to help keep your home warm this winter. Do your part for the environment by using a clean burning wood fire.

The Cromwell has been approved by ECAN for installation in the designated clean air zones that were previously unable to install a wood fire.

The Masport Cromwell has two combustion chambers, compared to a conventional wood fire. Light your fire in the top chamber with kindling and a small amount of wood. After 10-12 minutes once the flue gas temperature is achieved, you are ready to close the flue damper. This directs the flue gases in a downward motion in to the bottom chamber where secondary combustion takes place creating maximum heat in conjunction with very low emissions.

LAB PEAK OUTPUT: 13.3kW

EMISSIONS: CM1 - 0.47g/kg, NES - 0.20g/kg

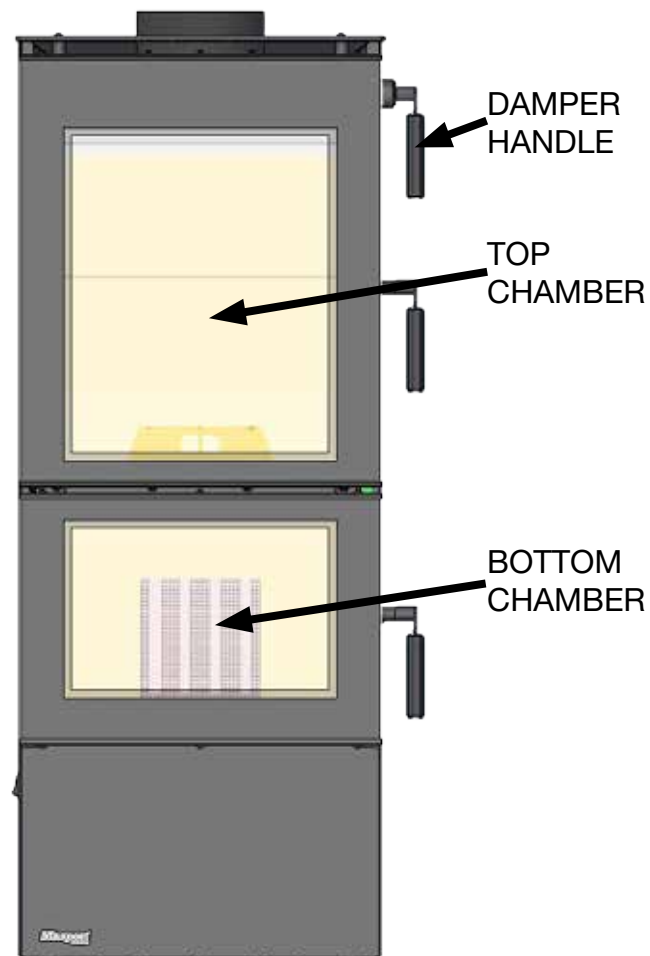
EFFICIENCY: CM1 - 67%, NES - 72.4%

FLUE SHIELD: 600mm Masport double flue shield

FLUE SYSTEM: Standard 4.2m 150mm Masport flue system

FLOOR PROTECTOR: Ash Floor protector

DIMENSIONS (WxDxH): 468 x 547 x 1188mm

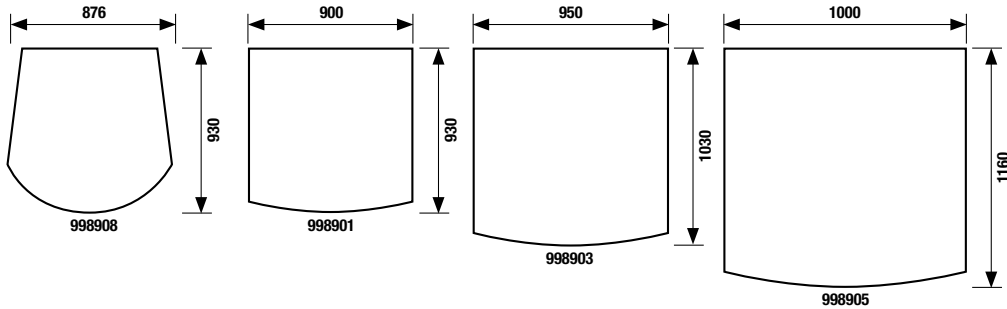




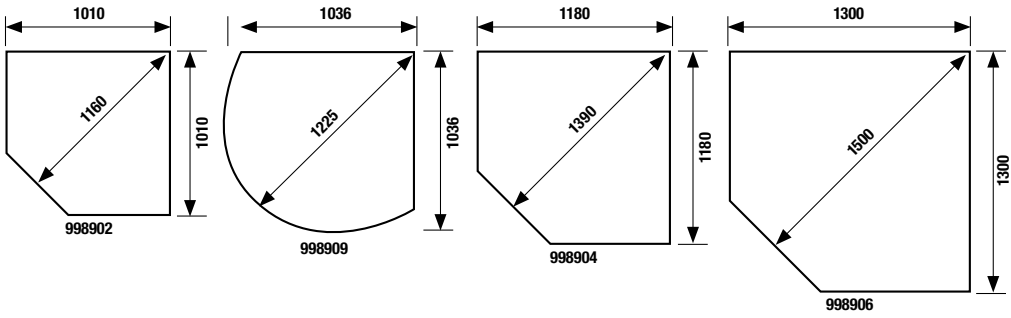
HEARTHES

Enhance your freestanding wood fire with a stylish floor protector available in a range of sizes to suit your needs in stunning black.

Parallel Hearths



Corner Hearths



	PARALLEL INSTALLATION				CORNER INSTALLATION			
SIZE - WIDTH x DEPTH (mm)	876 x 930	900 x 930	950 x 1030	1000 x 1160	1010 x 1010	1036 x 1036	1180 x 1180	1300 x 1300
STEEL THICKNESS	4mm	4mm	4mm	4mm	4mm	4mm	4mm	4mm
	998908	998901	998903	998905	998902	998909	998904	998906
AKAROA/AKAROA WOODSTACKER	✓	✓				✓	✓	
R1500 PED		✓			✓	✓		
R1500 RURAL		✓			✓	✓		
R1500 WS		✓			✓	✓		
R1600		✓			✓	✓		
HESTIA 2		✓			✓	✓		
F3000			✓				✓	
R5000 PED			✓				✓	
R5000 LEG			✓				✓	
R5000 RURAL			✓				✓	
R5000 WS			✓				✓	
OSBURN 1600 DRY/MKII WET			✓				✓	
CROMWELL			✓		✓	✓		
MACKENZIE R10000				✓				✓

* Hearths are designed where minimum floor protection is required as per AS/NZS 2918:2001 and are made of 4mm Steel.

BANNOCKBURN I2000



A discreet fire to compliment your living space with comfort.

- NES, Ecan and ORC Airshed 1 clean air approved
- Efficiently heats areas 140m²
- Superior heat from a generously sized steel fire box
- Triple air combustion system
- Fitted with masonry fire bricks and steel fire baffle
- Suitable for masonry installation only
- **Optional water booster available, Clean air approved (NES and ECAN) 1.5kW max**

FINISH: Metallic Black VHT

LAB TESTED PEAK OUTPUT: 14kW

EMISSIONS: 0.4g/kg

EFFICIENCY: 68%

DIMENSIONS (WxH): 850 x 702mm





13000 ZERO CLEARANCE



Beauty and performance all in one great package.

- NES, ECAN and ORC Airshed1 clean air approved
- Efficiently heats areas 140m²
- Superior heat from a generously sized steel fire box
- Triple air combustion system
- Fitted with masonry fire bricks and steel fire baffle
- **Optional water booster available, Clean air approved (NES and ECAN) 1.5kW max**

FINISH: Black VHT paint

LOUVRE/GRILL: Black VHT paint

LAB TESTED PEAK OUTPUT: 14kW

EMISSIONS: 0.4g/kg **EFFICIENCY:** 68%

FASCIA DIMENSIONS (WxH): 900 x 700mm (Z/C)

15000



Sleek contemporary looks that define extraordinary fires from the ordinary.

- NES, ECAN and ORC Airshed1 clean air approved
- Efficiently heats areas 125m²
- Superior heat from a fully finned 6mm cast iron firebox
- Triple air combustion system
- Fitted with masonry fire bricks and steel baffle for durability
- Suitable for masonry and timber framed (Z/C) recessed installations

FINISH: Black VHT paint

LOUVRE/GRILL: Black VHT paint

LAB TESTED PEAK OUTPUT: 12.5kW

EMISSIONS: 0.7g/kg

EFFICIENCY: 66%

FASCIA DIMENSIONS (WxH): 820 x 692mm (Masonry)
820 x 740mm (Z/C)

LE 4000



Transform your existing masonry fireplace into a dramatic modern feature with the LE 4000.

- NES, ECAN and ORC Airshed 1 clean air approved
- Efficiently heats areas 160m²
- Substantial heat from a fully finned 6mm steel firebox, triple air combustion system and heat exchanger technology
- Standard single-speed fan for optimal heat circulation
- Suitable for masonry and timber framed (Z/C) recessed installations

FINISH: Black Powder Coat (Fascia)

LOUVRE/GRILL: Matte Black Enamel

EST. PEAK OUTPUT: 16kW

EMISSIONS: 0.6g/kg **EFFICIENCY:** 67%

FASCIA DIMENSIONS (WxH): 965 x 700mm (Wide)
845 x 680mm (Slim)
965 x 750mm (Z/C)

I9000



Big, bold and striking, the I9000 adds great visual impact and plenty of heat for large, spacious areas.

- Efficiently heats areas 240m²
- Superior heat from a fully finned 6mm cast iron firebox and triple air combustion system
- Fitted with masonry fire bricks and steel baffle for durability
- Easy access 2 speed fan assembly
- Only available as a Zero Clearance model. Suitable for masonry recess and new Z/C applications with the Zero Clearance box
- Easy installation with minimum floor protection required
- **Optional water booster available (2.7kW max)**

FINISH: Metallic Black VHT paint

TRIM: Metallic Black VHT paint

EST. PEAK OUTPUT: 24kW

FASCIA DIMENSIONS (WxH): 1024 x 847mm



Inbuilt Zero Clearance (ZC)

Have you ever wanted to have an attractive insert fireplace but been put off by the need for an expensive remodelling of your house?

Now, thanks to Masport Heating, almost any wall can be quickly and safely converted to accommodate an insert fireplace with the Masport Zero Clearance (ZC) range of fires - I3000, I5000, LE4000 and I9000.

This range enables you to have an insert fireplace installed into almost any wall, while protecting floors and walls constructed from combustible materials.



Illustration images only

The Masport Optiflue

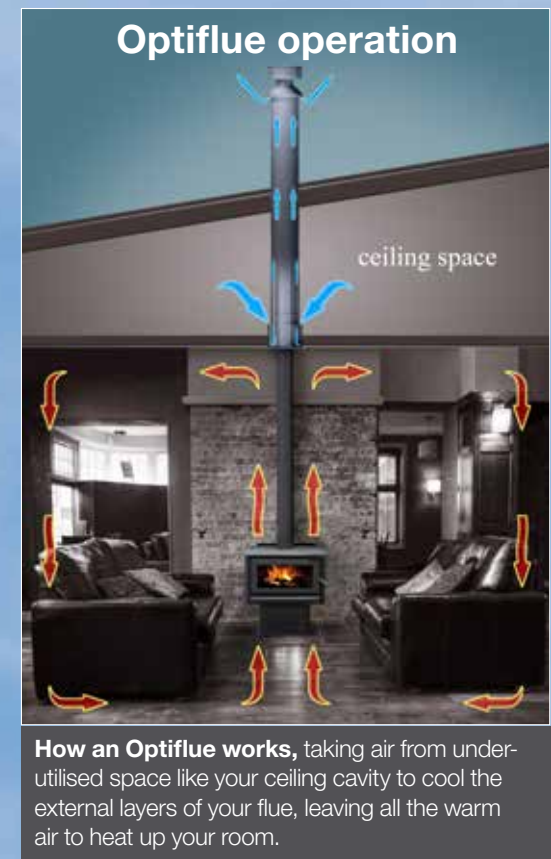
The new Opti-flue from Masport Heating is the result of years of extensive research and development to increase efficiency in your flue system.

A standard flue system will use warm air from your room to ventilate the upper flue system which can result in heat loss from your living room. The Masport Opti-flue system uses air from your ceiling cavity or from the outdoors (depending on your application) to ventilate the upper flue system keeping the heat in your living room where it's needed most.

Masport Opti-flue has versatile options. It can be installed in new or existing homes, with or without a ceiling cavity and for flat or sloping ceilings. Our Masport Opti-flue along with standard Masport flue systems and flue accessories are available from your local Masport Wood fire dealer.



Reduce heat loss from your room



Visit www.masport.co.nz for a full range of flue products available.

Tested to AS/NZS 2918:2001

Minimum distance to heat sensitive materials (mm) when a flue heat deflector is fitted as per standard AS/NZS 2918:2001

MODEL	FLUE SHIELD	FLOOR PROTECTOR TYPE	A	B	C	D	E	F	G	H	I	J	K	L	M	N	R	W
AKAROA/AKAROA WOODSTACKER	MDSS	AFP	100	350	300	117	180	261	591	400	415	715	920	1236	1025	670	566	481
CROMWELL	MDSS	AFP	100	360	300	138	125	344	595	375	446	746	945	1131	957	601	530	470
F3000	MDS	AFP	75	250	300	136	50	293	581	390	633	933	860	1118	1015	567	551	662
HESTIA 2	MDS	AFP	50	340	300	130	25	213	660	366	600	900	820	1125	1008	607	518	640
R1500	MDS	AFP	110	290	300	111	55	285	590	382	522	822	835	1091	956	550	541	600
R1500WS	MDS	AFP	110	290	300	111	100	285	590	427	522	822	835	1154	1001	550	604	600
R1500 RURAL	MDS	AFP	110	290	300	111	55	285	590	382	522	822	835	1091	956	550	541	600
R1600	MDS	AFP	110	290	300	111	55	285	590	382	522	822	835	1091	956	550	541	600
R5000 L/P	MDS	AFP	128	200	300	100	85	324	550	441	522	900	968	1268	1109	644	624	700
R5000WS	RDS	AFP	170	290	300	100	135	366	640	491	600	900	1010	1339	1159	644	695	700
MACKENZIE R10000	RDS	AFP	150	400	300	87	160	350	795	550	664	964	1070	1498	1294	720	778	790
OSBURN 1600 Dry & MKII Wet	MDS	AFP	100	360	300	81	150	300	678	483	496	796	1003	1386	1156	701	684	635

Refer to page 13 for the full range of Masport floor protectors.

NB: It is important to note that this dimension page is a guide only. Please refer to the installation manual supplied with the fire for accurate manufacturer recommendations. All details are available on www.masportheating.co.nz

Note: Clearances are for fire hazard only. For durability of finishes or surfaces you should contact the relevant manufacturer for their specification. Glen Dimplex New Zealand Ltd accepts no responsibility for the deterioration of surfaces or finishes.

For full warranty details refer to your owner's manual. All heaters must be installed and serviced by an authorised installer. Due to ongoing enhancements, specifications may change without notice. Some pictures and settings are for illustration purpose only. Consult your dealer for fires available in your area.

FLUE SHIELDS:

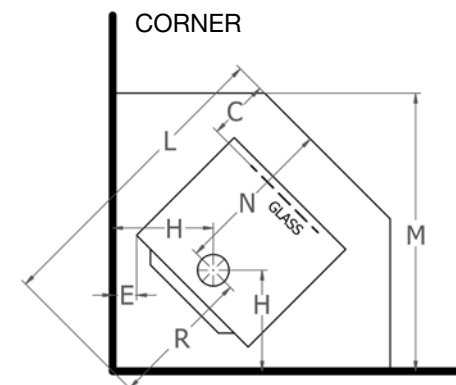
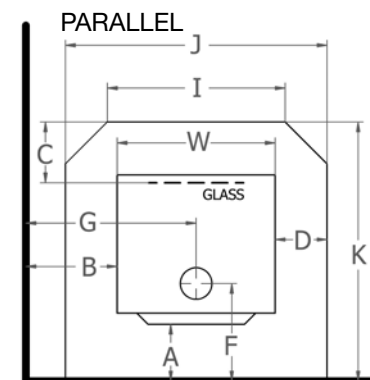
MDS Masport Double Skin Flue Shield 1200mm long

MDSS Masport Double Skin Flue Shield 600mm long

RDS Mackenzie R10000 Double Skin Flue shield 900mm long with special heat diverter and ceiling plate.

FLOOR PROTECTOR:

AFP Ash Floor Protector



	Clean Air Radiant Fires								
	Akaroa	R1500**	R1500 W/S**	R1600	R5000 W/S	R5000**	Osburn 1600**	MacKenzie	
Peak output (kW)	16.2	14	14	14	19	19*	21.9*	26.4	
	Clean Air Convection Freestanding Fires					Clean Air Inbuilt Fires			
	Hestia2	F3000**			Peak output (kW)	I5000	I3000	Bannockburn	LE4000
Peak output (kW)	19	19				12.5*	14*	14*	16
	Rural Freestanding and Inbuilt Fires					Ultra Low Emission Burner			
	R5000R**	I9000	R1500		Peak output (kW)	Cromwell			
Peak output (kW)	19*	24	14			13.3			

*Lab tested peak heat output. Heat output and burn time will vary depending on fuel size, type and moisture content.

** These models have a cooktop ability. Please ensure cookware is used and food is not put directly on the wood fire surface. Over time cooking on your wood fire may alter the appearance, this is not covered under warranty.

Water heating booster tubes can be fitted to Masport wood fires but the local emission regulations in some areas may preclude their use on some models.

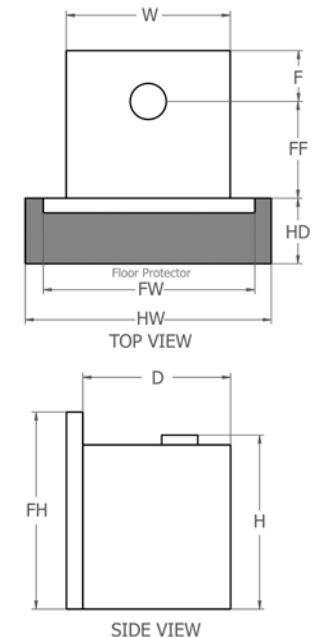
Dimensions and minimum floor protector sizes as per standard AS/NZS 2918:2001

MODEL	TYPE	FASCIA	FLOOR PROTECTOR TYPE	FLOOR PROTECTOR THICKNESS	D	H	W	F	FF	FH	FW	HW	HD *
BANNOCKBURN I2000	INSERT	STD	IFP-1	>33	510	587	630	100	410	702	850	900	362
I3000 Z/C	INBUILT	STD	ASH	N/A	607	652	770	197	410	700	900	900	362
I5000	INSERT	STD	IFP-4	>50	470	620	600	162	308	692	820	875	369
I5000 ZC	INBUILT	STD	IFP-1	>50	526	696	714	222	304	740	820	875	334
I9000 Z/C	INBUILT	STD	IFP-3	>50	612	786	852	264	348	847	1024	1025	525
LE4000 PROVINCIAL	INSERT	WIDE	IFP-3	>50	417	567	590	101	316	680	965	935	345
LE4000 PROVINCIAL	INSERT	SLIM	IFP-3	>50	417	567	590	101	316	700	845	935	345
LE4000 PROVINCIAL Z/C	INBUILT	STD	IFP-3	>50	525	696	715	210	315	750	965	935	345

FLOOR PROTECTORS:

- IFP-1** One layer of 6mm thick PROMATECT-H & 8mm thick tiles
- IFP-3** Two layers of 16mm thick MICORE 160 & one layer of 6mm fibre cement sheet & tiles
- IFP-4** One layer of 12mm thick PROMATECT-H & one layer of 6mm fibre cement sheet & tiles
- ASH** Ash Floor Protector

NOTE: *For other floor protector thicknesses the HD dimension changes. See installation instructions.



Installation

When installed in the correct manner as shown in the Masport Heating Installation Manual (supplied with the fire), your fire will provide a cleaner and more energy efficient warmth. Masport Heating recommends that all installation work be carried out by an installer who has completed the NZHHA certification programme. We recommend that your Masport Fire is installed with an approved Masport flue kit.

Guaranteed For 10 Years

As a sign of our commitment to quality, all new Masport fire boxes are guaranteed for 10 years. We warranty our fire boxes to be free from defects in material or workmanship under normal use and service. The Warranty (on the cast iron or steel firebox excluding attachments) is for 10 years from the date of purchase.*

* 1 Year warranty on all internal fire parts. 5 Year warranty on all multi-fuel fire boxes.

Glossary

- NES** National Environmental Standards set by Ministry for the Environment.
- ECAN** Environment Canterbury and Nelson Regional Council emission standards.
- ORC Airshed 1** Otago Regional Council Airshed 1 emission standards.
- RURAL** For installation on a section of 2 hectares or more.
- ULEB** Ultra Low Emission Burner.



Glen Dimplex New Zealand Ltd.
PO Box 58473, Botany, Auckland

Glen Dimplex New Zealand Ltd's policy is one of continuous development. We reserve the right to change size and specifications without notice. For confirmation of Masport Heating product details please refer to www.masportheating.co.nz. Please refer to the installation and operation instructions before having your Masport Wood Fire installed. A full set of these instructions is supplied with each fire.

EXTENDED BURN TIME: It is possible to achieve an overnight burn, when using a mixture of pine and hardwood, burn period may vary due to factors such as moisture, density of fuel, environmental factors and how the unit is operated.

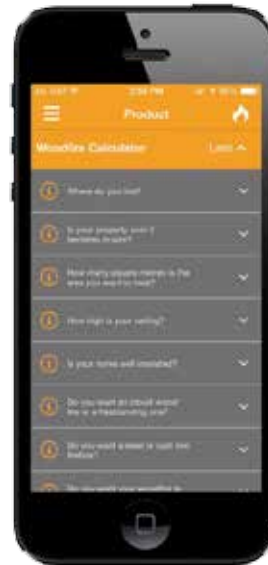
Your nearest Masport dealer:

TRY THE MASPORT HEATING APP



Let us do the work for you.

Download the free **Masport Heating Wood Fire Finder** app and we can help you find the wood fire best for your home and even show you what it will look like in your home. Share it with your friends or to show your local wood fire dealer when you are ready to purchase.



Put in your details and preferences to calculate your best options



See the selection of woodfires that are best for you



Use the visualizer to see what it looks like in your own home

Available on iPad and iPhone from the Apple App store.



Reorder part number: MASPBACKIT (Qty 25 per bag)



www.masportheating.co.nz